

## Electric Vehicle Surge Unit

Installation and usage guide



LIVE ELECTRICAL DISTRIBUTION UK LTD

Unit 4, Queensmead Place, Trafford Park, Manchester, M17 1PH

Tel: 0161 870 2592 Web: [www.liveelectrical.co.uk](http://www.liveelectrical.co.uk)

E-mail: [sales@liveelectrical.co.uk](mailto:sales@liveelectrical.co.uk)



-----  
*Ensure that these instructions are made available to the end user for future reference.*

## Description

### Features & Benefits

Consumer units are supplied with 40A 30mA type A RCBO and 20/40 KA DP Surge Protective Device, Built to BS EN 61439-3 and BS EN 61643-11 and BS EN 61009-1.

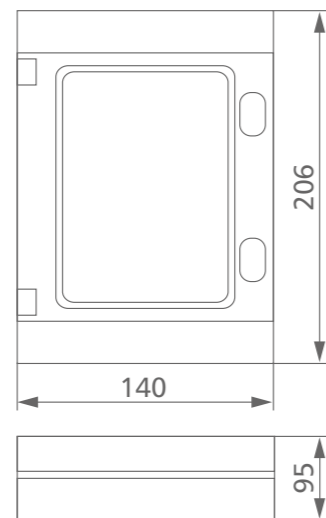
- Ip65 rated, Suitable for a variety of outdoor uses
- Manufactured from insulated flame retardant ABS
- Suitable for housing modular components
- Supplied complete with Din rail



### Unit Dimension

Part No.	Description	Box Qty	Dimensions		
			W	H	D
LEV440SP-P	4ways ENC465, RNA40C-030, SA140 1P+N	20	140	206	95
LEV440SP-BP	4ways ENC465, RNA40B-030, SA140 1P+N	20	140	206	95

### Dimensions



### Safety Instructions

- This unit must be installed and tested in accordance with the requirements of all relevant legislation, regulations and accepted practice.
- After completion of the installation draw users attention to the instructions contained inside this booklet and leave with user
- This unit is suitable for indoor use and is rated at IP65.

### Installation

#### Enclosure Mounting

- Remove lid by turning lid fixing screws until they are free from the base.
- Mount the unit using appropriate screws and fixings.
- Bring all cables in through appropriate cutouts and route to their final location.



### Operating Instructions

- In normal use all toggles should be in the upward position indicated by I or ON.

### Cable and Torque Settings

Check the tightness of all terminals, including factory made terminations, as follows:

Device	Max Cable Capacity (mm <sup>2</sup> ) Input / Output	Recommended Tightening Torque (Nm)
2 Pole RCBO	25	2
Earth Terminals	25	2
Surge Device	25	2

### Warning!

All connections, including factory-made, must be checked for the correct installation and tightness, prior to the commissioning of the electrical installation.  
Electricity is dangerous if in any doubt please seek qualified advice